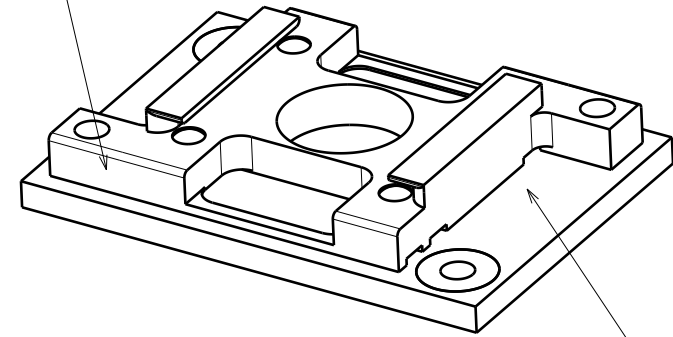
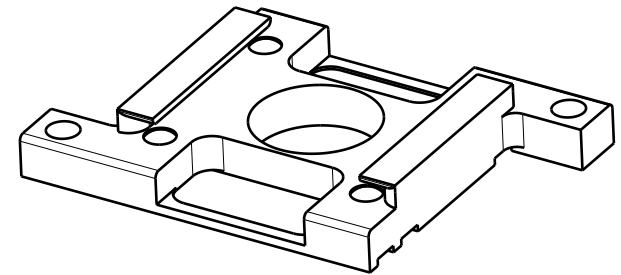


RECOMHTR1001S



Boralectric resistive heating element not included



$\sqrt{\text{Ra } 0.8}$  (✓)  $\begin{matrix} +0.2 \\ +0.1 \end{matrix}$   $\begin{matrix} -0.1 \\ -0.2 \end{matrix}$   
 general tolerances ISO 2768-K

Material: fully UHV compatible		nominal	over	1	6	30	100	300	1000
Receptacle for SHOM sample plates		dimension up to		6	30	100	300	1000	2000
RECOMHTR1001S		tolerance $\pm$		0.05	0.1	0.3	0.5	0.8	1.2
		Scale	Drawn	D.Rechsteiner					
		1:2	Date	07.03.2014					
			changed	.....					
<b>Ferrovac GmbH</b>		THE INFORMATION CONTAINED IN THIS DRAWING IS THE SOLE PROPERTY OF FERROVAC GMBH. ANY REPRODUCTION IN PART OR AS WHOLE WITHOUT OUR PERMISSION IS PROHIBITED.		RECOMHTR1001S					
CH-8050 Zurich		Rev.	A		sheet 1/1				